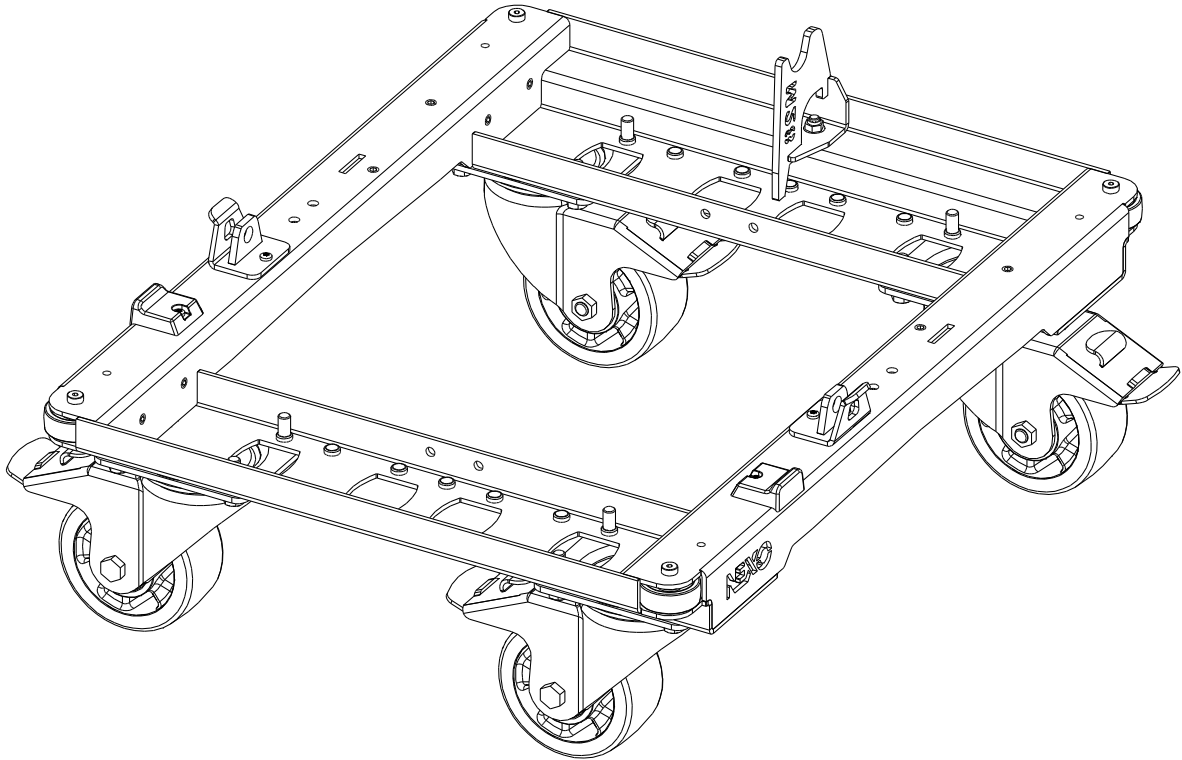
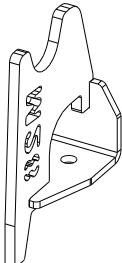
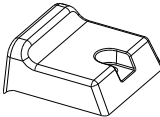
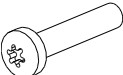
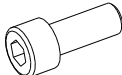

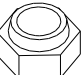


M28 Adapter - DOLLY STM



Contents:

X1	X2	X2	X1	X1	X1
		Torx 5x25 	Hexa M8x25 	M8 	M8 

Weight: 0.5 kg / 1.1 lb

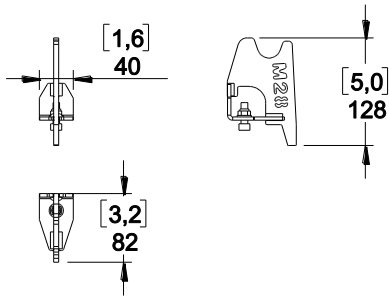


nexo-sa.com

ZA du Pre de la Dame Jeanne
60128 PLAAILLY - France

- Read this document before using.
- Keep this document.
- Observe all warnings and cautions.

Dimensions:



Assembly

Remove the parts	Assemble M28 Adapter	Assemble Skid in front position

Use

<p>Lock the Compas before. Use the back and side guides to position the cabinets . Lock cabinet on the dolly with RedLock.</p>	<p>Pull upwards the red latch and at the same time, pull the RedLock back to Unlock</p>

- NEXO cannot accept responsibility for accidents caused by any factor other than defects in this product itself.
- Please check the web site nexo-sa.com for the latest update.

NEXO

nexo-sa.com

ZA du Pre de la Dame Jeanne
60128 PLAILLY - France

- Read this document before using.
- Keep this document.
- Observe all warnings and cautions.