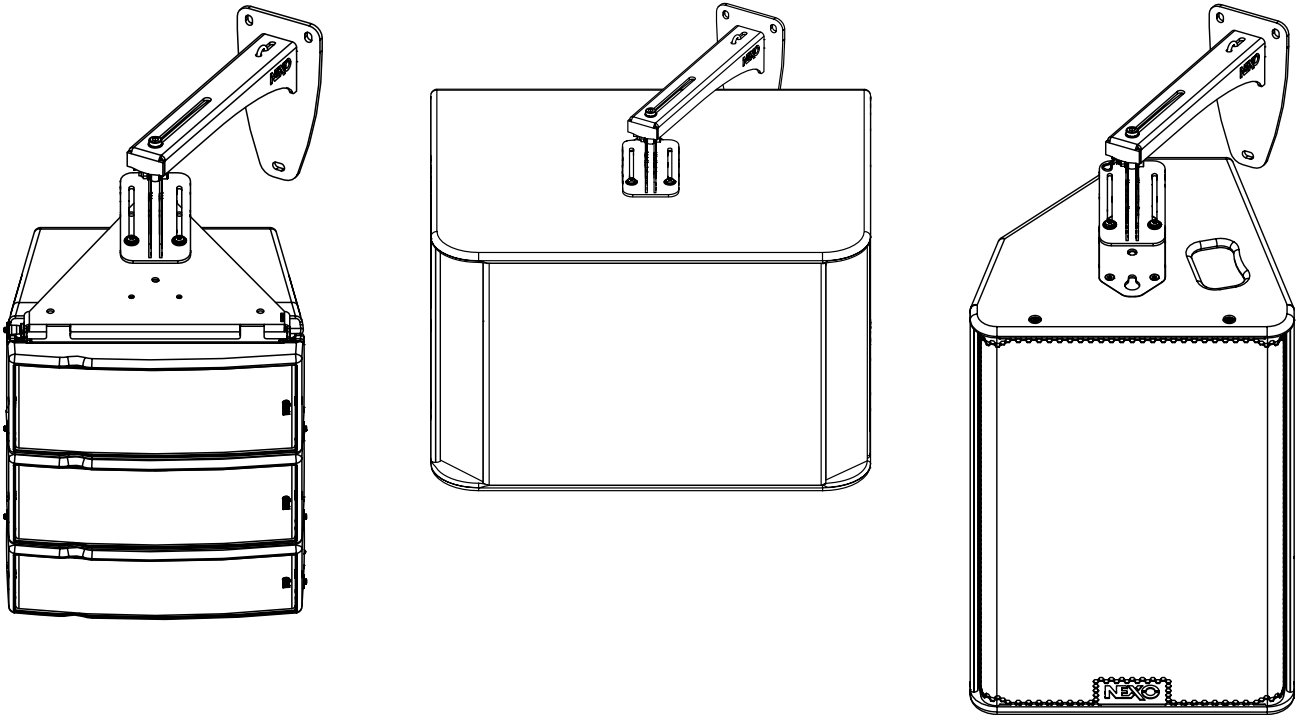
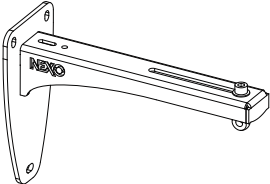



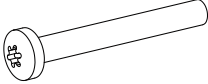



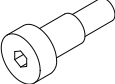




## Wall bracket for GEOM6 / LS600 / PS15



### Contents:

<p>X1 (Arm)</p> 	<p>X1 (Adapter)</p> 	<p>X1</p> 	
<p>X1</p> 	<p>X2</p> 	<p>X1</p> 	<p>X2</p> 
<p>X1</p> 	<p>X1</p> 	<p>X1</p> 	<p>X1</p> 

Weight: 2.8 kg / 6.2 lb

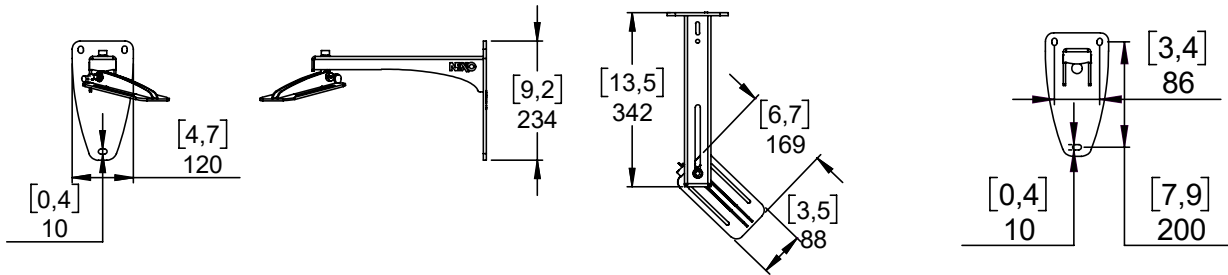


nexo-sa.com  
 ZA du Pre de la Dame Jeanne  
 60128 PLAILLY - France

- Read this document before using.
- Keep this document.
- Observe all warnings and cautions.



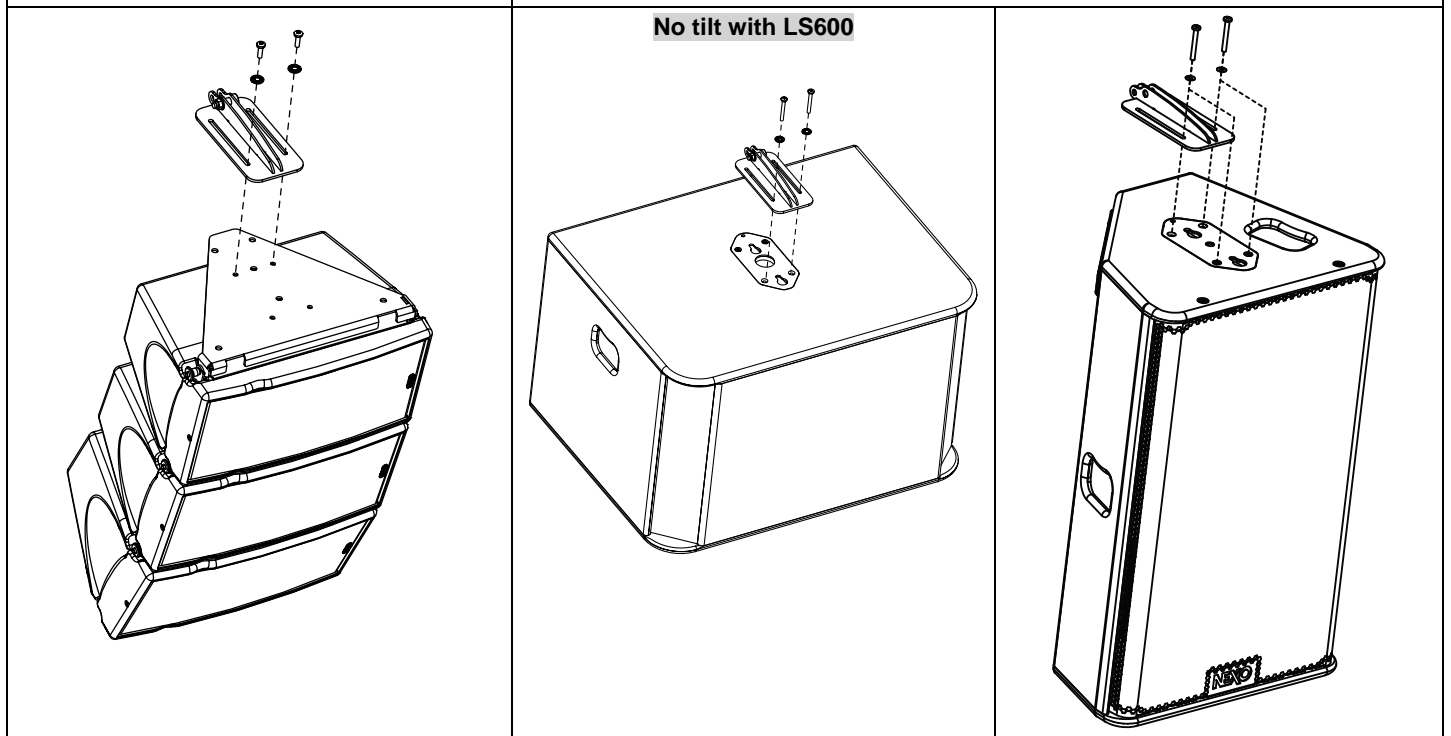
## Dimensions:



## Adapter mounting

- Connect the VNI-WS15 adapter to the GMT-LBUMP by using the M6x20 provided with the GMT-LBUMP
- Position the M6x20 screws in the oblong hole so that required vertical angle is obtained

- Remove 2 screws from the LS600 / PS15 and use the 2 screws and the 2 washers provided to fix the adapter.
- Please, do not push on the 2 screws while screwing them, to avoid disengaging the bolt that is inside the cabinet.



**WARNING: Screws must be secured using Loctite 243™**

# NEXO

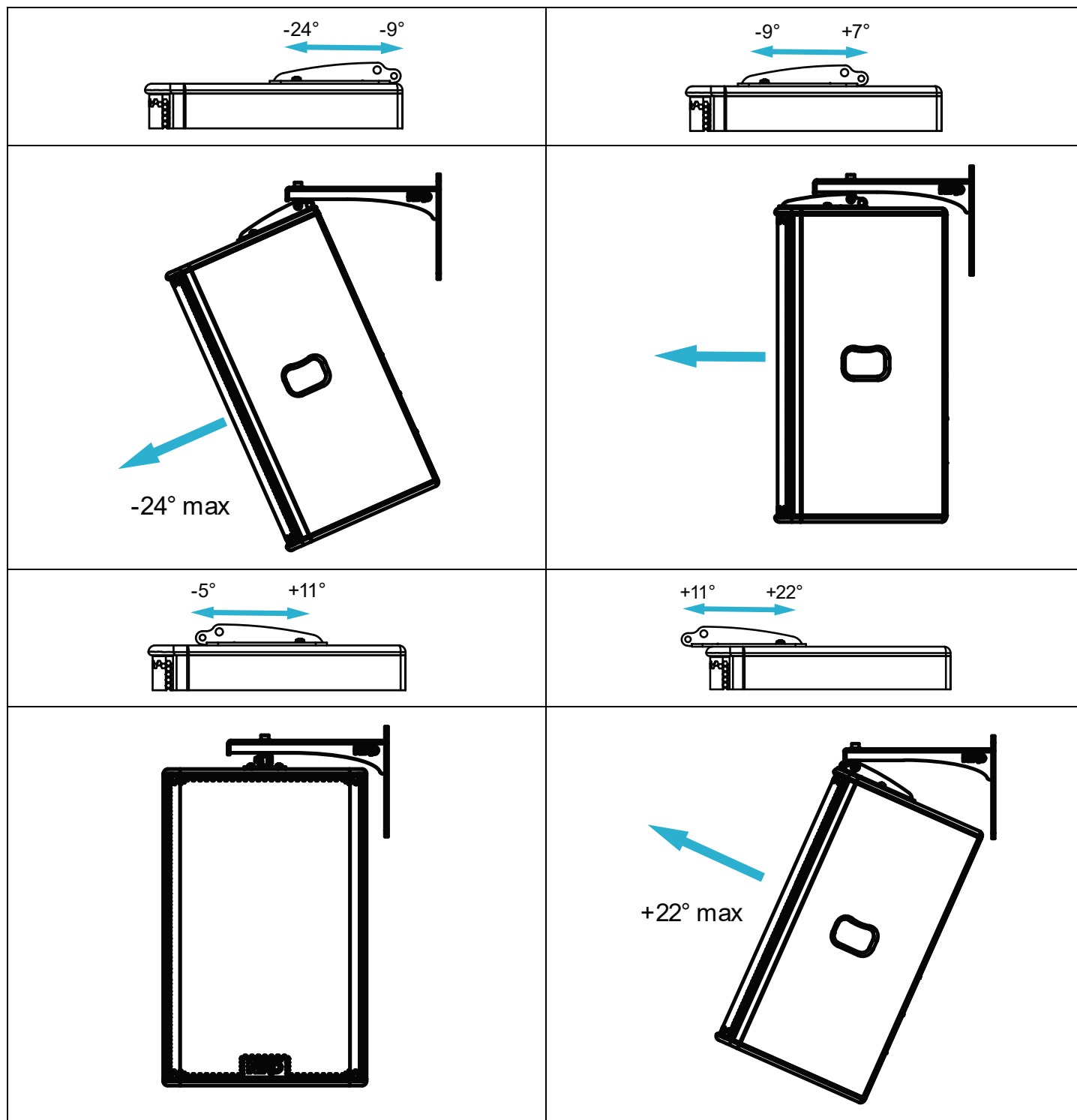
nexo-sa.com

ZA du Pre de la Dame Jeanne  
60128 PLAILLY - France

- Read this document before using.
- Keep this document.
- Observe all warnings and cautions.



Tilt in vertical position with PS15



**NEXO**

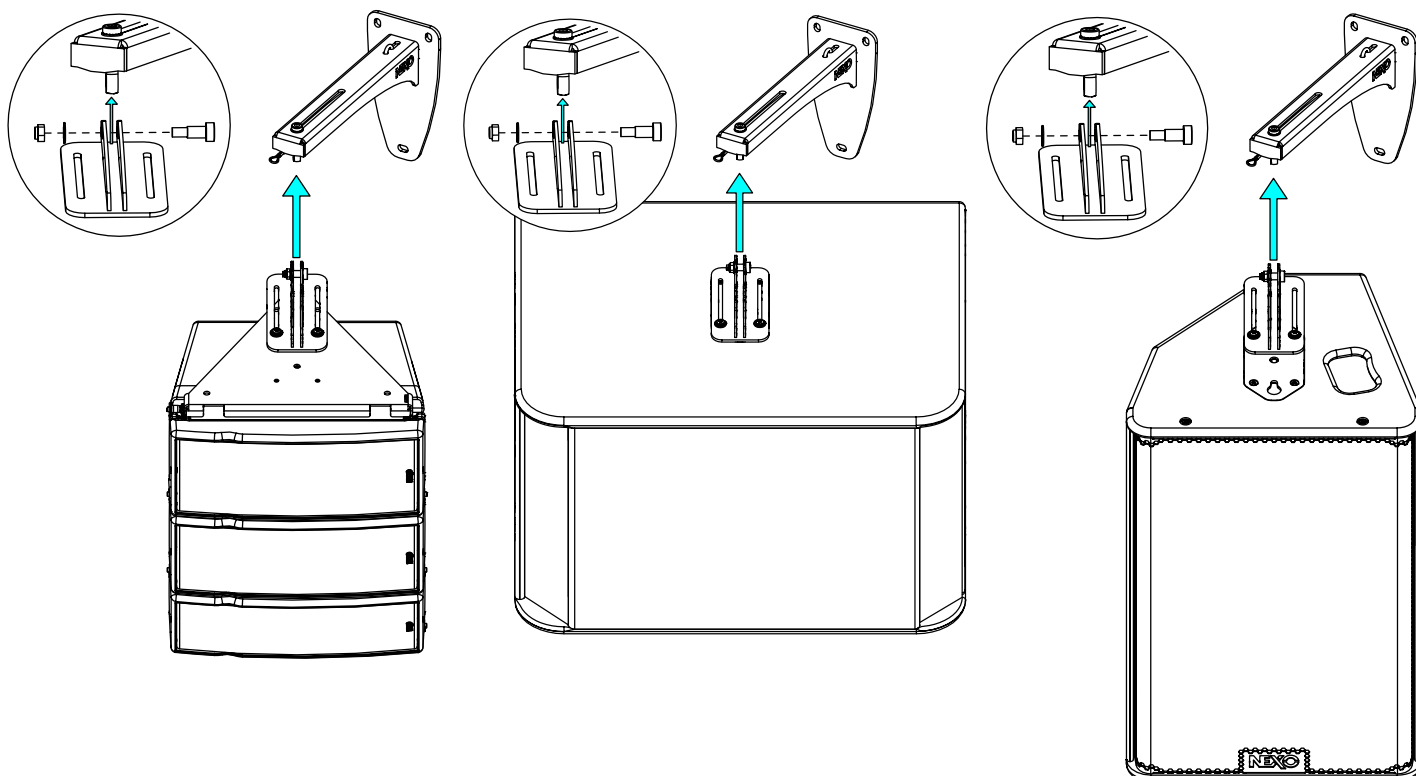
nexo-sa.com  
 ZA du Pre de la Dame Jeanne  
 60128 PLAILLY - France

- Read this document before using.
- Keep this document.
- Observe all warnings and cautions.



## Adapter / Arm mounting

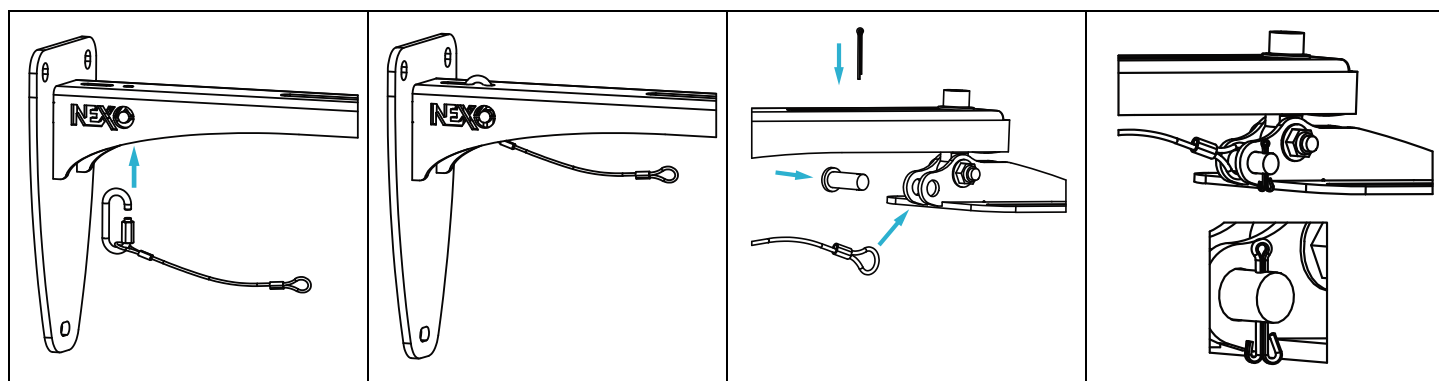
For the wall mount of VNI-WS15, please select screws and mounting location supporting 4 times the system weight.



Tighten well to cancel any float between the arm and the adapter.

## Safety device

**!! Use the parts provided**



- NEXO cannot accept responsibility for accidents caused by any factor other than defects in this product itself.
- Please check the web site [nexo-sa.com](http://nexo-sa.com) for the latest update.

# NEXO

nexo-sa.com  
ZA du Pre de la Dame Jeanne  
60128 PLAILLY - France

- Read this document before using.
- Keep this document.
- Observe all warnings and cautions.

