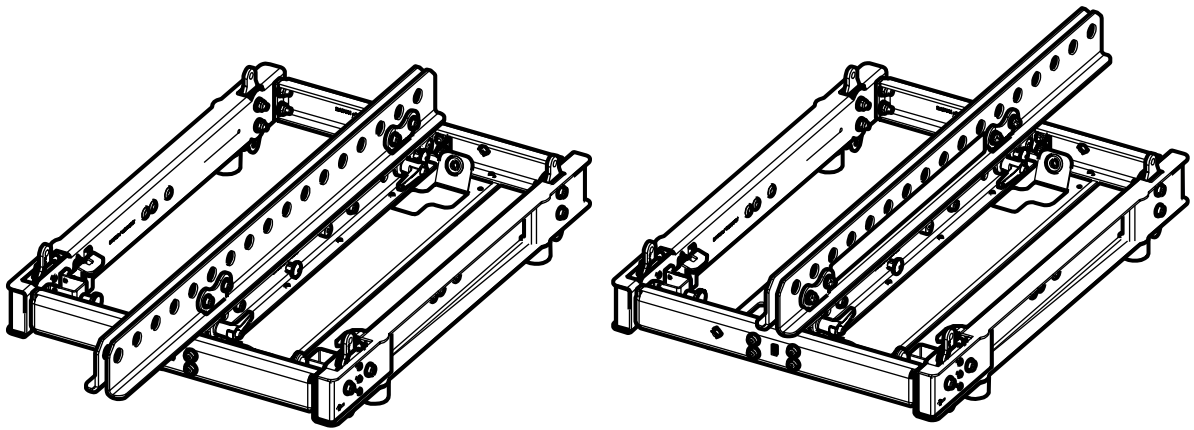
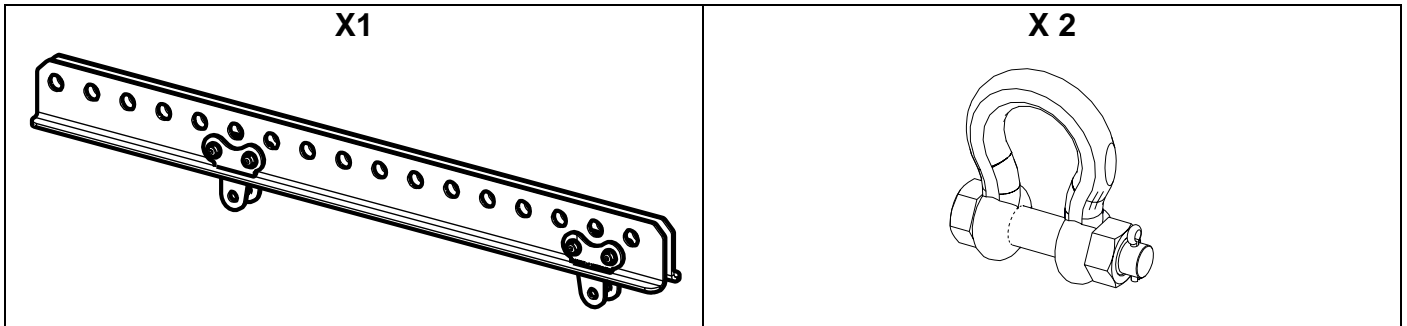


Extension bar for VNI/VNT-BUMPM10

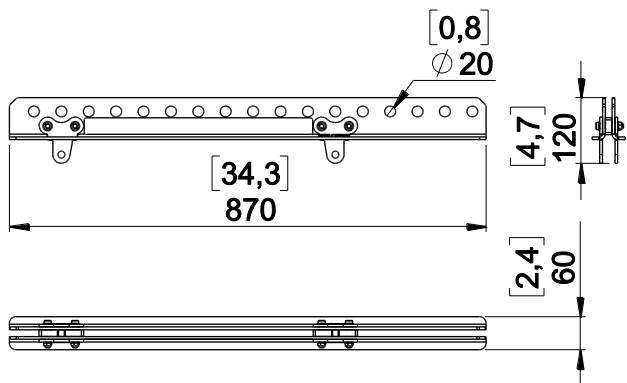


Contents:



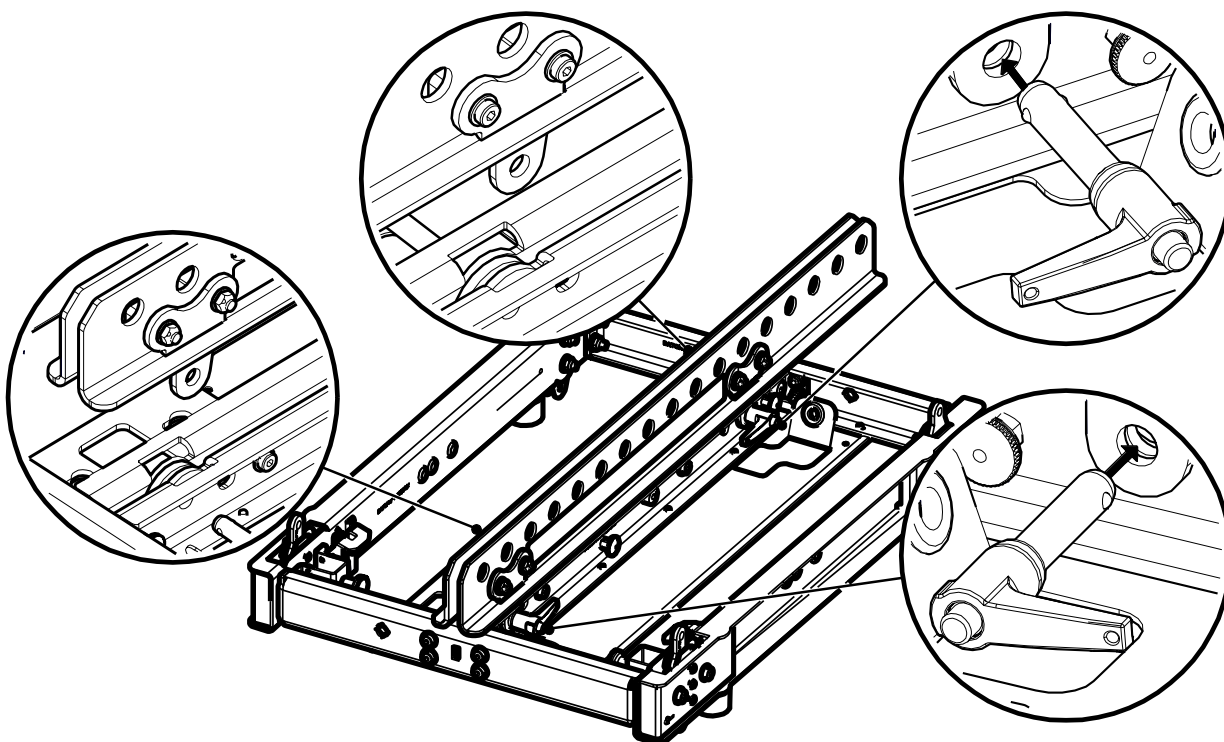
Weight: 7 kg / 15.5 lb (without shackles)

Dimensions:



Use:

- Place EXBARM10 by the top and fit the guides into the slots on the BUMPM10.
- Lock with the quick release pins 12x40 presents on the BUMPM10.
- EXBARM10 allow a 1 rigging point hanging, with a negative or positive tilt.
- Use NEXO Simulation Software for mechanical prediction.
- Use shackle model: Alloy Bolt Type Shackles 3.25 Tons



- NEXO cannot accept responsibility for accidents caused by any factor other than defects in this product itself.
- Please check the web site nexo-sa.com for the latest update.

NEXO

www.nexo-sa.com
ZA du pre de la Dame Jeanne
60128 PLAILLY-France

- Read this document before using.
- Keep this document.
- Observe all warnings and cautions.

