

## DMX-D8

8-way DMX Booster/Distributor

Item ref: 154.102UK

User Manual



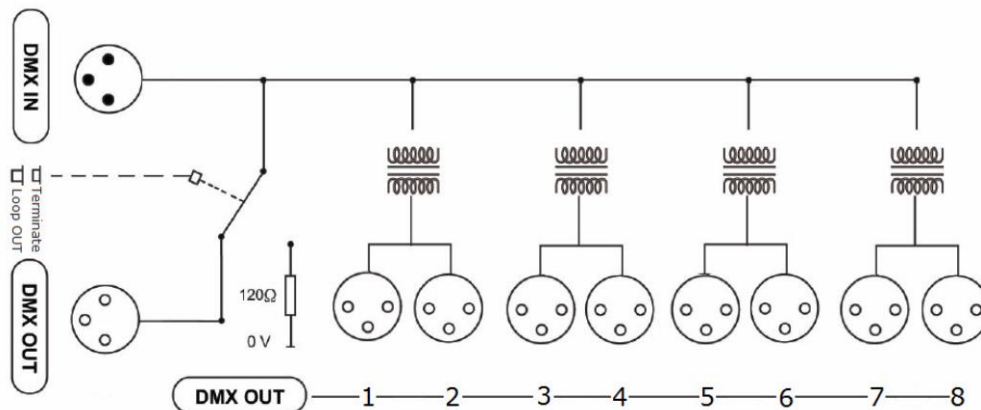
Caution: Please read this manual carefully before operating  
Damage caused by misuse is not covered by the warranty

## Introduction

8 way DMX Booster/distributor with one input, loop through and four pairs of electrically opto-isolated outputs. Both DMX input and DMX output are provided with 3 pin XLR connectors, making it universally compatible with most lighting systems. This item is ideally used for splitting the signal over a large area or to isolating individual fixtures making it quick and easy to diagnose and fix faulty fixtures without the whole system failing.

- DMX Loop out or DMX terminated (supplied)
- 8 x opto isolated DMX outputs (isolated in pairs, CH1+2, CH3+4, CH5+6, CH7+8)
- Powered by mains to boost signal over a long distance.

## Circuit Diagram



## Warning: Before Use

This item is for professional use only. Please take note of the following instructions before using this device.

- This unit must be earthed.
- Do not turn on the power until all connections are securely made.
- The DMX-D8 will not work if 32 or more fixtures are connected *before* it in the chain
- The DMX-D8 should not be connected to more than 32 fixtures per channel
- Always use a DMX terminator at the end of each DMX chain
- If the DMX-D8 is last in a DMX chain, switch in the internal DMX terminator
- Always disconnect from the mains before replacing the fuse
- There are no user serviceable parts inside

## Specifications

Power supply	230Vac, 50Hz (IEC)
DMX input	1 x XLRM
DMX Outputs	8 x XLRF (+ loop output)
Isolators	4 (with paired outputs)
Dimensions	280 x 180 x 75mm
Weight	2.3kg



This product is classed as Electrical or Electronic equipment and should not be disposed with other household or commercial waste at the end of its useful life. The goods must be disposed of according to your local council guidelines

### Errors and omissions excepted.

Copyright© 2021 AVSL Group Ltd, Unit 2 Bridgewater Park, Taylor Road, Trafford Park, Manchester. M41 7JQ.

AVSL (Europe) Ltd, Unit 3D North Point House, North Point Bus. Park, New Mallow Road, Cork, Ireland.